

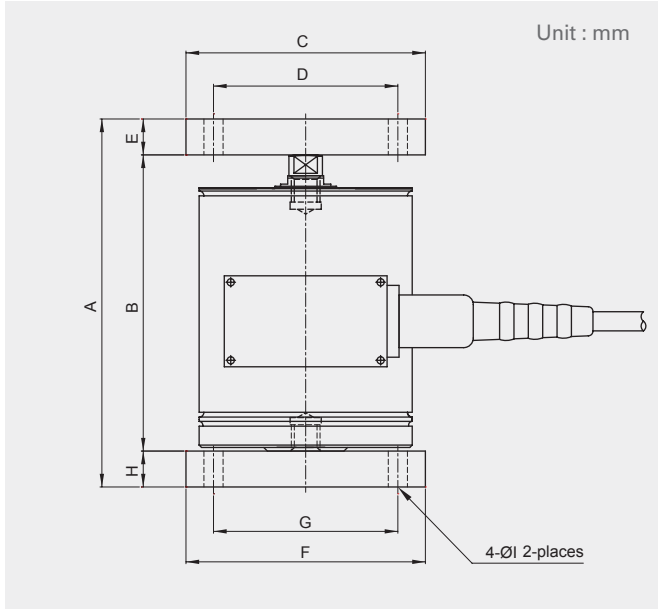
CCC

TANK WEIGHING ACCE

Canister Load Cell

Load Button Type (ACCE-CCC-TWL)

DIMENSIONS



FEATURES

- Compression load cell
- Hermetically sealed

Capacity	A	B	C	D	E	F	G	H	I
100 kgf									
200 kgf									
300 kgf	153.7	153.7	100	77	15	100	77	15	8
500 kgf									
1 tf									
2 tf									
3 tf	210.3	164.3	130	105	23	130	105	23	12
5 tf									
10 tf	333	243	130	125	30	160	125	30	14
20 tf	375.5	315.5	200	150	30	200	150	30	14

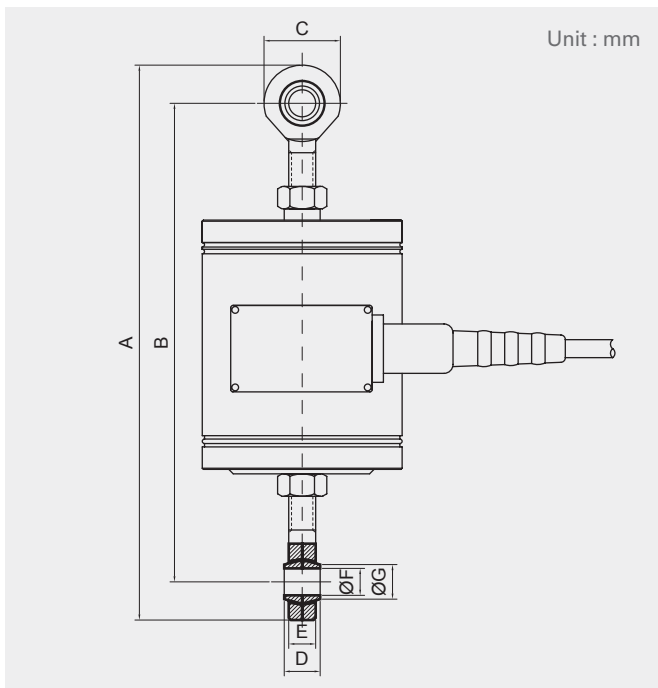
CCT

TENSION WEIGHING ACCE

Canister Load cell

Rod end Bearing Type

DIMENSIONS



FEATURES

- Tension load cell
- Hermetically sealed

Capacity	A	B	C	D	E	F	G
100 kgf							
200 kgf							
300 kgf	255 ~260	221 ~216	32	16	12	12	15.4
500 kgf							
1 tf							
2 tf							
3 tf	525 ~530	423 ~428	50	31	22	25	29.8
5 tf							

- Rod End (100 kgf~1tf : M12×1.25)
- Rod End (2 tf~5 tf : M24×2.0)